

OR-M 565

High performance side seal machine for plastic strapping

For large and heavy packages



Customer benefits

Characteristics	Customer benefits
Up to 65 cycles per minute	<ul style="list-style-type: none">· Fast strapping
Touch Panel	<ul style="list-style-type: none">· Strap tension easily adjustable· Flush operator controls
Simple technology, few moving parts	<ul style="list-style-type: none">· Reliable, also in continuous operation· Easily accessible (without tools)
Constant strap tension	<ul style="list-style-type: none">· For packages of different types and sizes
Ergonomically positioned dispenser	<ul style="list-style-type: none">· Simple and rapid coil change

Specifications

- Standard equipment**
- Adjustable working height
 - Four castors with brakes
 - Closed strap arch system
 - Heat seal
 - Automatic strap threading device
 - Automatic strap end ejection
 - Foot pedal (with option Interface not included)
 - Touch panel with additional strap tension "Soft"
 - Automatic strap loop ejection for cycles without product
 - Cycle counter
 - Electrical supply cable, 5 m
 - Dispenser, above machine

Technical data

Max. cycles	65/min.
Arch dimensions (width x height)	300 x 600 mm*
	650 x 500 mm
	850 x 850 mm
	850 x 1250 mm
	850 x 1550 mm
Seal height	560-1040 mm
Electrical supply	230 V, 50 Hz
	115 V, 60 Hz

Strap tension	
- with manual feed, up to	450 N
- with automatic feed (Option), up to	600 N
Room temperature	10-40°C
Relative humidity of air	10-65%
Emission sound pressure level	79 dB (A)
Weight	190 kg

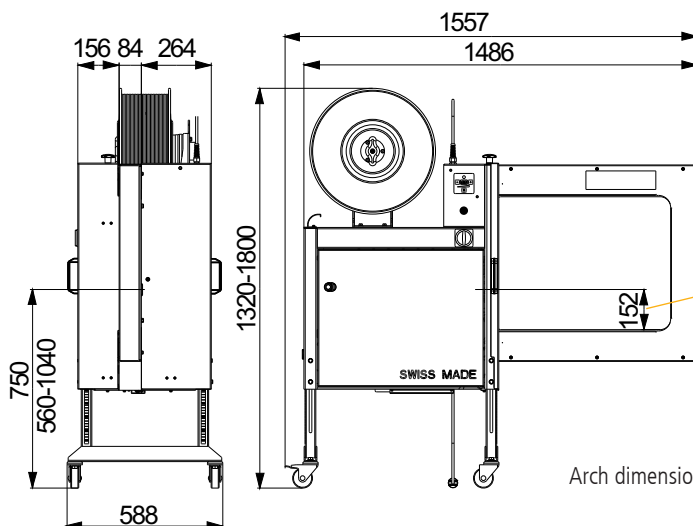
Packages

Min. width x height	50 x 100 mm
Package weight, max.	50 kg

Plastic strap

Polypropylene (PP)	
9 mm	371.609.555
12 mm	371.612.540
Strap coil, inside/outside Ø	200/430 mm

* Model OR-M 5655



Dalle dimensioni degli archi
850 x 850 mm:
Altezza di chiusura 257 mm



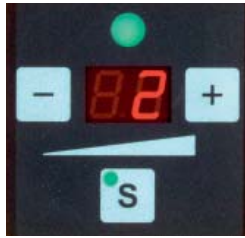
For integration into conveyor systems
or as a stand alone machine with non-driven rollers



For very large packages:
Arch dimension
850 x 1550 mm

Arch dimensions (width x height) 650 x 500 mm

Highlights



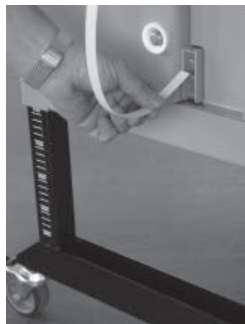
Exceptionally easy operation
Strap tension adjustable with press button



Robust, compact design



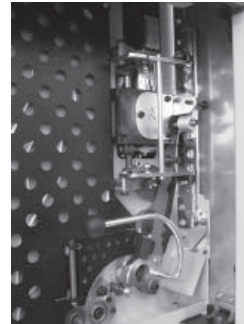
Strap for cost effective strapping
Use of thin PP strap



Simple coil change



Easily accessible



Easy fault clearance
without tools



Minimum maintenance requirement
without tools

Options



Adjustable feet
With adjustable feet the machine can be securely located



Roller table

- For max. working arch width of 650 mm
- Height adjustable
- Idle roller table
- Stainless steel roller



Standard interface
for integration into existing production lines for fully automatic (in-line) applications



Foot switch with protection cover



Support roller

Interface for high strap tension
for integration into existing production lines and strap tension up to

- 600 N for fully automatic applications
- 450 N for manual operation

Further options

- **Dispenser turned 90°**
Coil loading from rear side of machine
- **Special sealing height**
Other heights than 560–1040 mm

ORGAPACK GmbH
Packaging Technology

Silberstrasse 14
CH-8953 Dietikon
Phone +41 44 745 50 50
Fax +41 44 745 52 16
pt@orgapack.com
www.orgapack.com

Certificate ISO 9001 / EN 29001