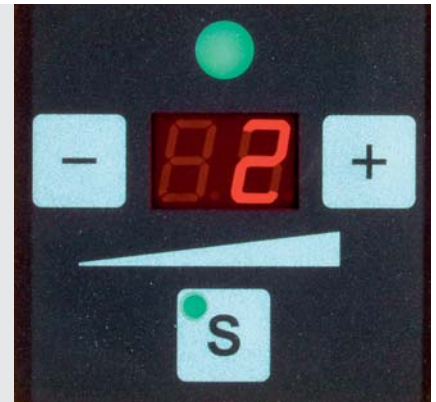


# HIGH PERFORMANCE MACHINES OR-M 510 / 515 / 525



**NEW**

## OR-M 510 / 515 / 525

The new high performance machines for small to large packages

### 5 Highlights

#### Fast strapping

- Up to 70 cycles per minute

#### Touch Panel

- Strap tension easily adjustable
- Flush operator controls
- All operating functions using foot pedal

#### Simple technology, few moving parts

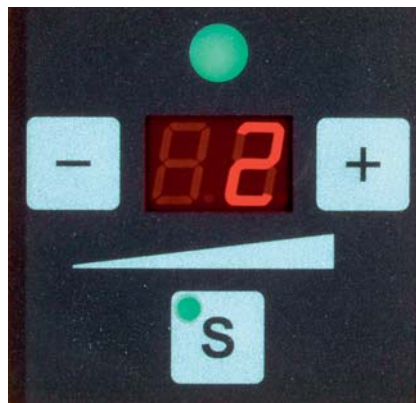
- Reliable, also in continuous operation
- Easily accessible (without tools), flexible use

#### Constant strap tension

- For small to large packages
- For soft and hard products

#### Ergonomically positioned dispenser

- Simple and rapid coil change



Strap tension adjustable with press button



Simple coil change



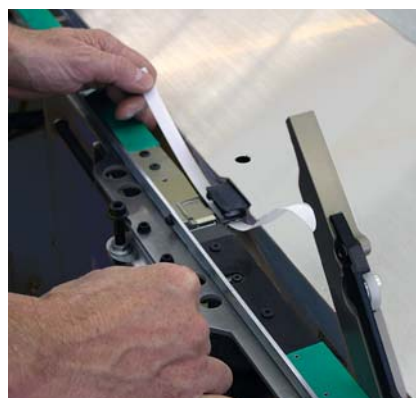
OR-M 510/515 with integrated dispenser



OR-M 525 with side mounted dispenser



Easily accessible



Maintenance without tools



#### Lightweight strap for cost effective strapping

New technology allows use of thin or narrow 5 mm strap as alternative to 9/12 mm

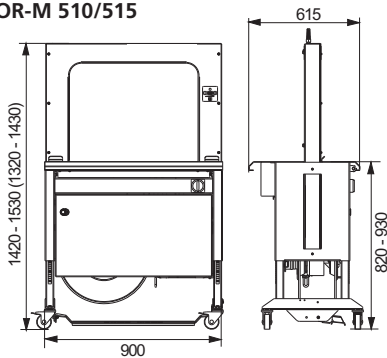
## User friendly

- Plug & Play:  
Very easy handling
- Mobile, ready to use anywhere
- Adjustable working height
- All operating functions using foot pedal

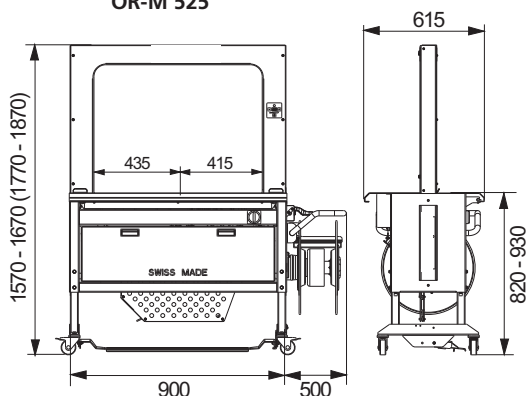
## Cost effective

- High availability
- Use of 5 mm PP strap with OR-M 510 – the alternative to 9/12 mm strap
- Use of thin PP straps
- Maintenance-friendly

OR-M 510/515



OR-M 525

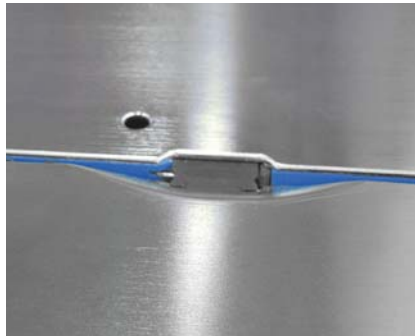


Machines	OR-M 510	OR-M 515	OR-M 525
	5 mm	9/12 mm	9/12 mm
<b>Standard equipment</b>	•	•	•
– Adjustable working height			
– Four transport rollers, with two brakes			
– Closed strap arch system			
– Heat seal			
– Automatic strap threading device			
– Automatic strap end ejection			
– Foot pedal			
– Touch Panel with additional strap tension			
“Soft”			
– Automatic strap loop ejection for cycles without product			
– Cycle counter			
– Electrical supply cable, 5 m			
– Dispenser, position	Integrated	Integrated	Side mounted
<b>Technical data</b>			
Max. cycles per minute	70	65	60
with arch dimensions (width x height)			
– 500 x 400 mm	•		
– 650 x 500 mm	•	•	
– 850 x 650 mm			•
– 850 x 850 mm			•
– 1250 x 500 mm			•
– 1250 x 850 mm			•
– 1550 x 500 mm			•
Working height	820–930 mm	820–930 mm	820–930 mm
Electrical supply	230 V, 50 Hz	230 V, 50 Hz	230 V, 50 Hz
Strap tension, up to	300 N	450 N	450 N
Weight	170 kg	170 kg	190 kg
Room temperature	10–40°C	10–40°C	10–40°C
Relative humidity of air	10–65%	10–65%	10–65%
<b>Plastic strap (PP)</b>			
Width	5 mm	9/12 mm	9/12 mm
Thickness	0,4–0,5 mm	0,45–0,6 mm	0,45–0,6 mm
Strap coil, inside/outside Ø	200/430 mm	200/430 mm	200/430 mm
<b>Packages</b>			
Min. width	100 mm	100 mm	100 mm
Max. weight	35 kg	35 kg	35 kg
<b>Options</b>			
Second foot pedal	•	•	•
Foot switch with protection cover	•	•	•
Bundle stops	•	•	•
Cycle start triggered by photocell (on table)	•	•	•
Hold down device			•
Roller table		•	•
Signal lamp			•
Working height 670–830 mm			•
Interface			•

## Options

### CT Version (Cold and Tropic Environment)SMG 50/55

- Room temperature 5–40°C  
Relative humidity of air 10–85%
- Rust-free feet and guide rolls
  - Rust-free table
  - Basic frame with special colour treatment



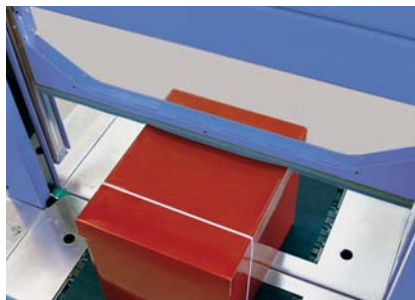
**Cycle start triggered by photocell**  
for single, double or multiple strapping



**Bundle stops**  
for precise positioning of loose packages



**Roller table**  
for easy handling of heavy parcels



**Hold down device**  
for compressing loose packages



**Second foot pedal**  
for operation on both sides



**Foot switch with protection cover**

ORGAPACK GmbH  
Packaging Technology

Silbernstrasse 14  
CH-8953 Dietikon  
Phone +41 44 745 50 50  
Fax +41 44 745 52 16  
pt@orgapack.com  
www.orgapack.com

Zertifikat ISO 9001 / EN 29001