

OR-M 520S / 525S

High performance machines for small and narrow products



Customer benefits

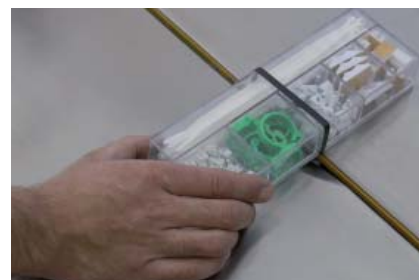
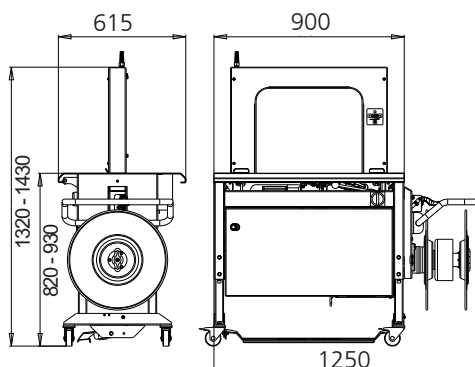
Characteristics	Customer benefits
Up to 70 cycles per minute	<ul style="list-style-type: none">· Fast strapping
Touch Panel	<ul style="list-style-type: none">· Strap tension easily adjustable· Flush operator controls· All operating functions using foot pedal
Simple technology, few moving parts	<ul style="list-style-type: none">· Reliable, also in continuous operation· Easily accessible (without tools)
Constant strap tension	<ul style="list-style-type: none">· For small and narrow products· For soft and hard products
Ergonomically positioned dispenser	<ul style="list-style-type: none">· Simple and rapid coil change

Specifications

Machines	OR-M 520S	OR-M 525S
	5/6 mm	9/12 mm
Standard equipment		
– Side mounted dispenser		
– Adjustable working height		
– Four transport rollers, with two braked		
– Closed strap arch system		
– Heat seal		
– Automatic strap threading device		
– Automatic strap end ejection		
– Foot pedal		
– Touch panel with additional strap tension "Soft"		
– Automatic strap loop ejection for cycles without product		
– Cycle counter		
– Electrical supply cable, 5 m		
– Interface for integration into automatic conveying systems		
Technical data		
Max. cycles	70/min.	65/min.
Arch dimensions (width x height)	500 x 400 mm	500 x 400 mm
Working height	820–930 mm	820–930 mm
Electrical supply	230 V, 50 Hz	230 V, 50 Hz
Strap tension, up to	300 N	450 N
Weight	170 kg	170 kg
Room temperature	10–40°C	10–40°C
Relative humidity of air	10–65%	10–65%
Plastic strap (PP)		
5 x 0,40 mm	362.605.585	
6 x 0,50 mm Superflex	324.106.560	
9 x 0,45 mm Superflex		323.109.540
12 x 0,45 mm Superflex		323.112.530
Strap coil, inside/outside Ø	200/430 mm	200/430 mm
Packages		
Min. width x height	50 x 5 mm	50 x 5 mm
Max. weight	35 kg	35 kg

Options

Second foot pedal	•	•
Foot switch with protection cover	•	•
Package stops	•	•
Cycle start triggered by photocell	•	•
Roller table	•	•



Highlights



Exceptionally easy operation
Strap tension adjustable with press button



Easily accessible



Maintenance without tools



For small and narrow products
Min. width x height
50 x 5 mm



Robust, compact design



Simple coil change



Interface
for integration into existing production plants

Options



Package stops
for precise positioning of loose packages



Roller table
for easy handling of heavy parcels



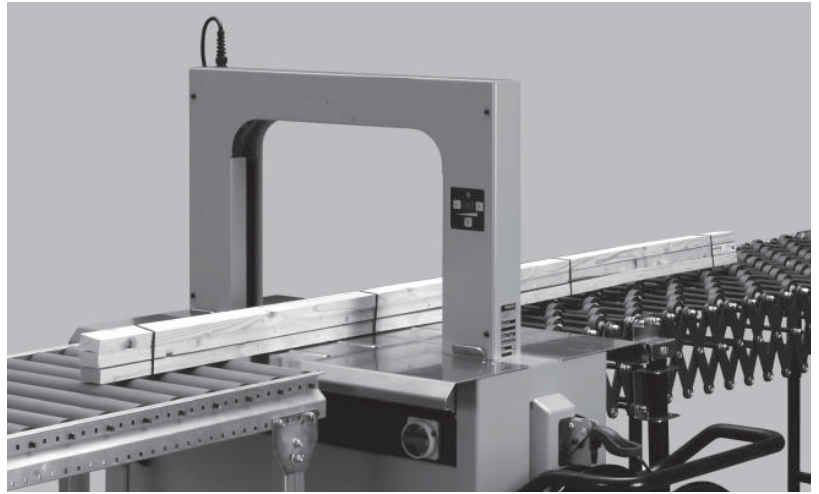
Cycle start triggered by photocell



Second foot pedal
for operation on both sides



Foot switch with protection cover



ORGAPACK GmbH
Packaging Technology

Silbernstrasse 14
CH-8953 Dietikon
Phone +41 44 745 50 50
Fax +41 44 745 52 16
pt@orgapack.com
www.orgapack.com

Zertifikat ISO 9001 / EN 29001